

DATA SHEET

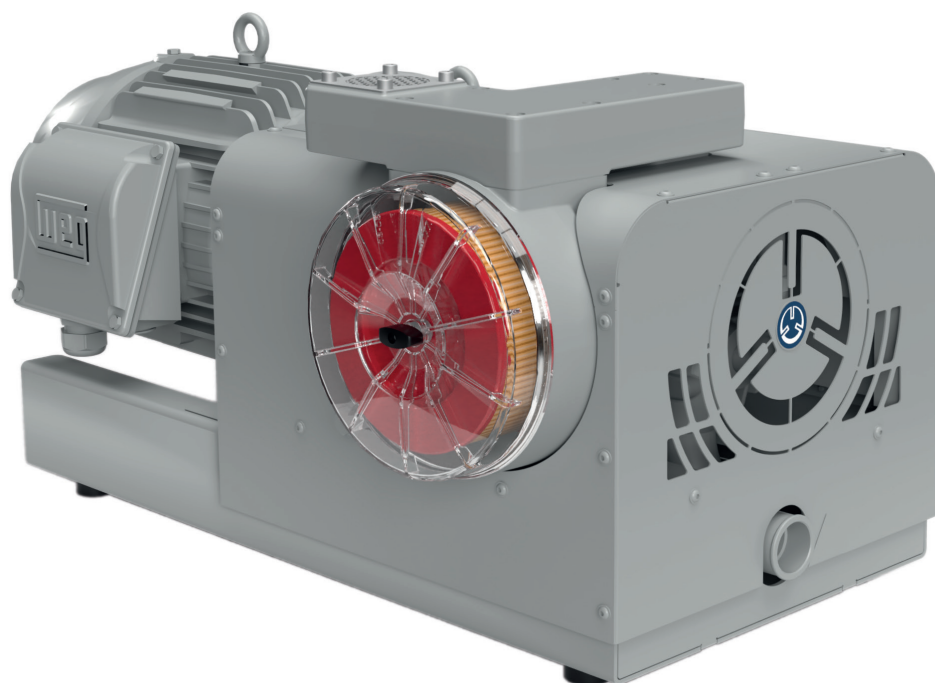
**BCP 150**

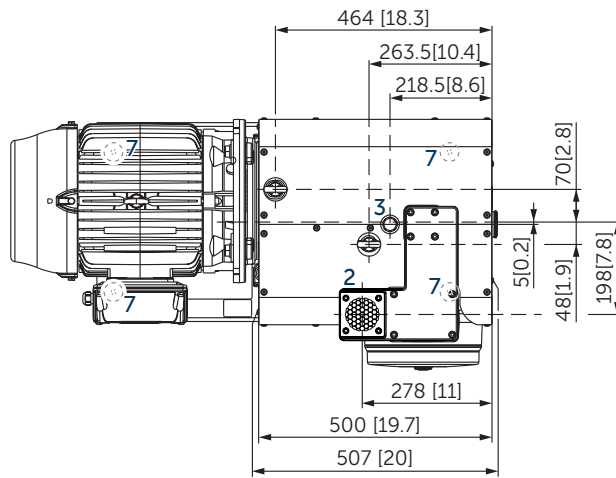
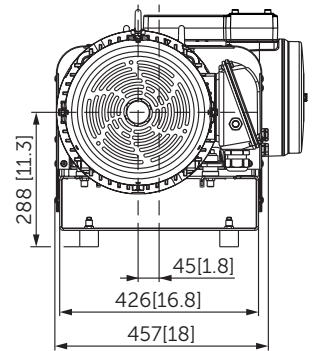
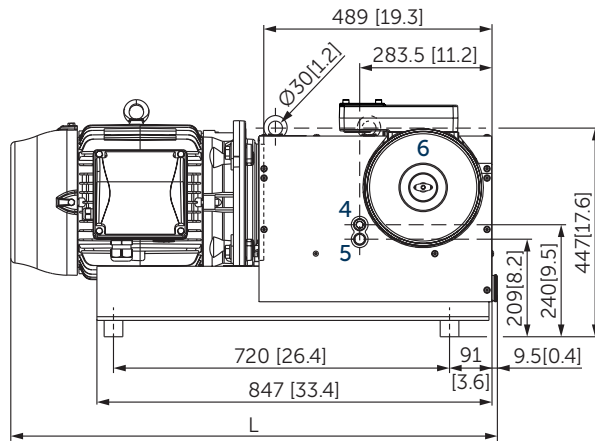
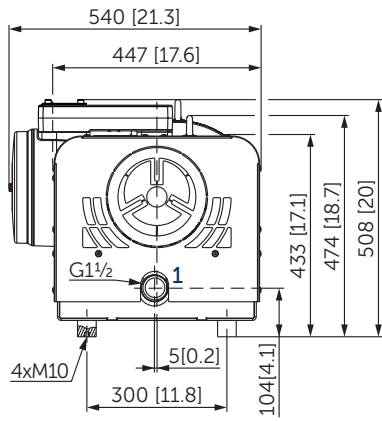
# CLAW COMPRESSORS

dry and contact free compression  
air-cooled

---

**MAKE IT BECKER.**





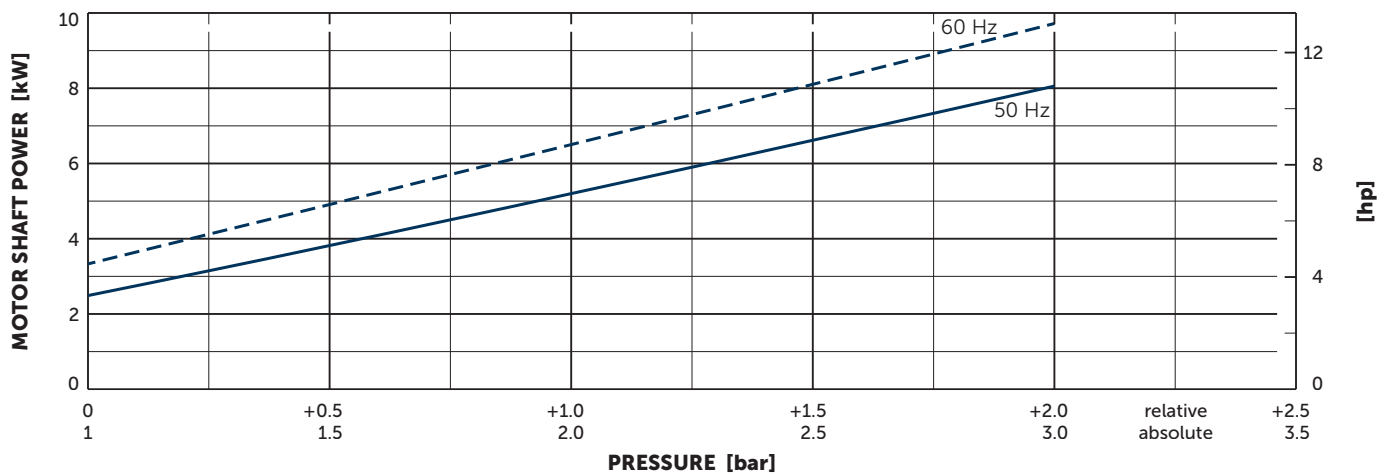
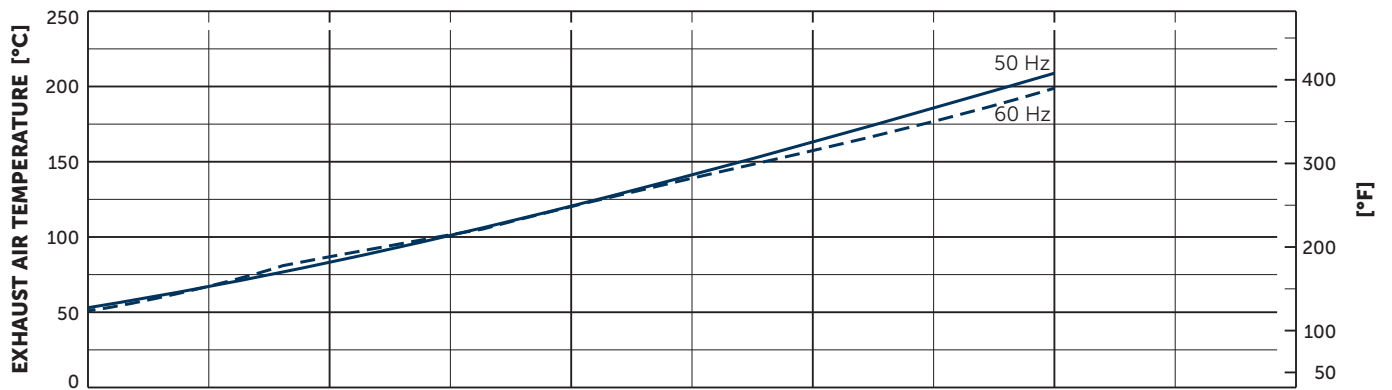
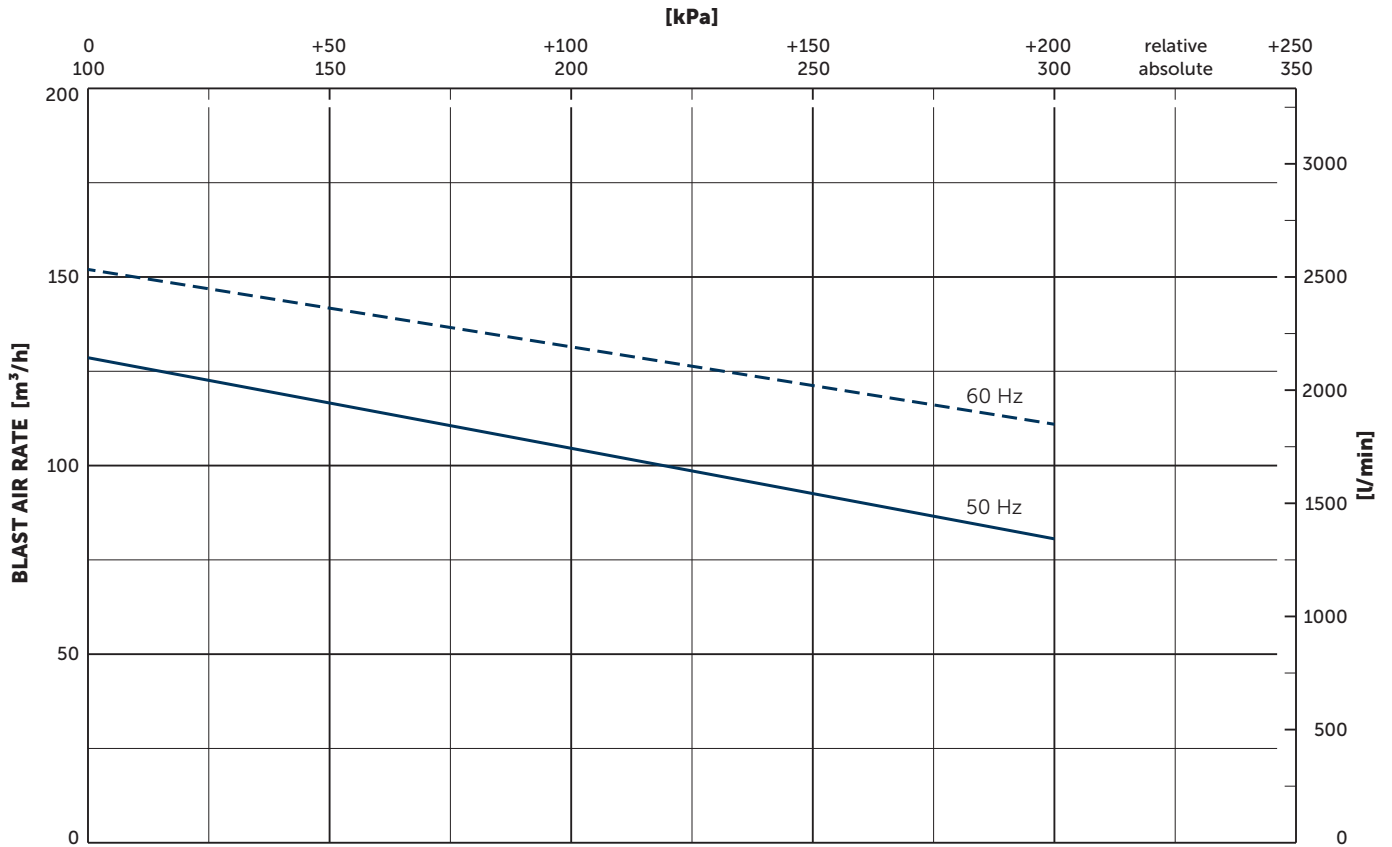
- 1 Pressure connection (G1½)
  - 2 Suction side
  - 3 Oil filler cap
  - 4 Oil sight glass
  - 5 Screw plug for oil drain
  - 6 Suction filter
  - 7 Rubber buffer position
- The motor illustration may vary.
  - Dimensions in mm [inch]

Nominal capacity		Pressure relative motor-dependent	Emission sound pressure level <sup>1)</sup>		Weight without motor
50 Hz	60 Hz		50 Hz	60 Hz	
150	180	+1.0/+1.3/+1.7/+2.0	77 (+1 bar)	78 (+1 bar)	≈116.5

<sup>1)</sup> According to DIN EN ISO 11203, accuracy class of measurement: class 2, extended measurement uncertainty: 3 dB  
1 m [39.4 inch] distance, at medium load, both connection sides piped

Pressure relative bar	3~ Motors										Length L mm [inch]					
	#	50 Hz				60 Hz				Version		Weight kg				
	kW	V	min <sup>-1</sup>	A	kW	V	min <sup>-1</sup>	A								
+1.0	01	Δ380/Y660	IE3	2935	10.8/6.22	5.5	Δ460/Y -	IE3	3550	9.29/ -	UL(E104590) CSA • CC029A IP55 • ISO F • PTC	66	896 [35.3]			
		Δ400/Y690	IE3	2940	10.6/6.14											
		Δ415/Y -	IE3	2945	10.6/ -											
+1.0	02	Δ200/Y346	IE3	2955	22.2/12.9	6.6	Δ200/Y346	IE3	3535	23.7/13.7	UL(E104590) CSA • CC029A IP55 • ISO F • PTC	74	896 [35.3]			
		Δ220/Y380	IE3	3545	22.6/13.1											
		Δ - /Y400	IE3	3550	- /12.7											
+1.3	03	Δ230/Y400	IE3	2930	24.5/14.1	7.5	YY230/Y460	IE3	3540	24.8/12.4	UL(E104590) CSA • CC029A IP55 • ISO F • PTC	71	896 [35.3]			
		YY208/Y -		3525	26.2/ -											
		Δ290/Y500	IE3	2930	19.5/11.3									7.5	Δ332/Y575	IE3
Δ400/Y690	IE3	2925	14.1/8.17	7.5	Δ460/Y -	IE3	3535	12.4/ -	UL(E104590) CSA • CC029A IP55 • ISO F • PTC	70	896 [35.3]					
Δ415/Y -	IE3	2930	13.9/ -													
+1.7	06	Δ200/Y346	IE3									2945	28.6/16.5	9.0	Δ200/Y346	IE3
		Δ220/Y380	IE3	3530	29.8/17.2											
		Δ - /Y400	IE3	3535	- /16.7											
+2.0	07	Δ380/Y660	IE3	2920	17.1/9.85	9.2	Δ460/Y -	IE3	3535	14.6/ -	UL(E104590) CSA • CC029A IP55 • ISO F • PTC	83	933 [36.8]			
		Δ400/Y690	IE3	2925	16.9/9.62											
		Δ415/Y -	IE3	2930	16.1/ -											
+2.0	08	Δ200/Y346	IE3	2955	43.0/24.8	13.2	Δ200/Y346	IE3	3535	47.6/27.5	UL(E104590) CSA • CC029A IP55 • ISO F • PTC	113	1029 [40.5]			
		Δ220/Y380	IE3	3550	44.2/25.6											
		Δ - /Y400	IE3	3555	- /25.2											
+2.0	09	Δ230/Y400	IE3	2949	35.2/20.2	11.0	YY230/Y460	IE3	3557	35.7/17.8	UL(E104590) CSA • CC029A IP55 • ISO F • PTC	118	1029 [40.5]			
		YY208/Y -		3443	34.3/ -											
		Δ290/Y500	IE3	2950	27.5/16.0									11.0	Δ332/Y575	IE3
Δ400/Y690	IE3	2925	14.1/8.17													
Δ415/Y -	IE3	2930	13.9/ -													

- Current consumption and rotation speed may vary. Tolerance in each case -1.5/+2%
- Motors 07, 08 and 10 on request. The technical data are preliminary data and are subject to change.



Reference data (atmosphere): 1000 mbar (100 kPa), 20°C (68°F), measurements with integrated filter  
 Tolerance: ±10%



**MAKE IT BECKER.**